

Approximate dimensions 2, 3 & 4 Pole ② 30A – 1200A Fusible

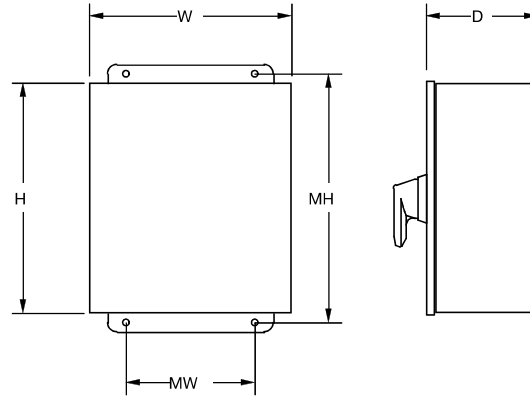
← 00.00 → Inches
00.00 → [Millimeters]

Fusible

Frame size	Enclosure type	H height	W width	D depth	MH mtg. height	MW mtg. width	Weight
OS30_	1	10.0	8.0	6.0	7.0	7.0	12
	3R	10.0	8.0	6.0	10.75	6.0	12
	4	10.0	8.0	6.0	10.75	6.0	12
	4X SS	10.0	8.0	6.0	10.75	6.0	12
	4X Plastic	10.0	8.0	8.0	10.75	6.0	8.0
	12	10.0	8.0	6.0	10.75	6.0	12
OS60_	1	14.0	12.0	8.0	7.0	7.0	13
	3R	14.0	12.0	8.0	10.75	6.0	13
	4	14.0	12.0	8.0	10.75	6.0	13
	4X SS	14.0	12.0	8.0	10.75	6.0	13
	4X Plastic	10.0	8.0	8.0	10.75	6.0	9.0
	12	14.0	12.0	8.0	10.75	6.0	13
OS100_	1	14.0	12.0	8.0	11.0	9.0	22
	3R	14.0	12.0	8.0	14.75	10.0	22
	4	14.0	12.0	8.0	14.75	10.0	22
	4X SS	14.0	12.0	8.0	14.75	10.0	22
	4X Plastic	14.0	12.0	8.0	14.75	10.0	16
	12	14.0	12.0	8.0	14.75	10.0	22
OS200_	1	24.0	16.0	8.0	25.5	14.5	75
	3R	24.0	16.0	8.0	25.5	14.5	75
	4	24.0	16.0	8.0	25.5	14.5	75
	4X SS	24.0	16.0	8.0	25.5	14.5	75
	4X Plastic	①	①	①	①	①	①
	12	24.0	16.0	8.0	25.5	14.5	75

Frame size	Enclosure type	H height	W width	D depth	mtg. height	MW mtg. width	Weight
OS400_	1	44.0	22.0	11.0	37.5	22.5	150
	3R	44.0	22.0	11.0	37.5	22.5	150
	4	44.0	22.0	11.0	37.5	22.5	150
	4X SS	44.0	22.0	11.0	37.5	22.5	150
	4X Plastic	①	①	①	①	①	①
	12	44.0	22.0	11.0	37.5	22.5	150
OS600_	1	42.0	36.0	12.0	43.5	34.5	150
	3R	42.0	36.0	12.0	43.5	34.5	150
	4	42.0	36.0	12.0	43.5	34.5	150
	4X SS	42.0	36.0	12.0	43.5	34.5	150
	4X Plastic	①	①	①	①	①	①
	12	42.0	36.0	12.0	43.5	34.5	150
OS800_	1	48.0	24.0	12.0	49.5	22.5	170
	3R	48.0	24.0	12.0	49.5	22.5	170
	4	48.0	24.0	12.0	49.5	22.5	170
	4X SS	48.0	24.0	12.0	49.5	22.5	170
	4X Plastic	①	①	①	①	①	①
	12	48.0	24.0	12.0	49.5	22.5	170
OS1200_	1	60.0	36.0	12.8	62	38	200
	3R	60.0	36.0	12.8	62	38	200
	4	60.0	36.0	12.8	62	38	200
	4X SS	60.0	36.0	12.8	62	38	200
	4X Plastic	①	①	①	①	①	①
	12	60.0	36.0	12.8	62	38	200

- ① Please consult factory, enclosures are sized to suit specific customer needs.
② Some 4-pole switches require larger enclosures. Please consult factory.



Approximate dimensions 2, 3 & 4 Pole ③ 16A – 3150A, Non-fusible

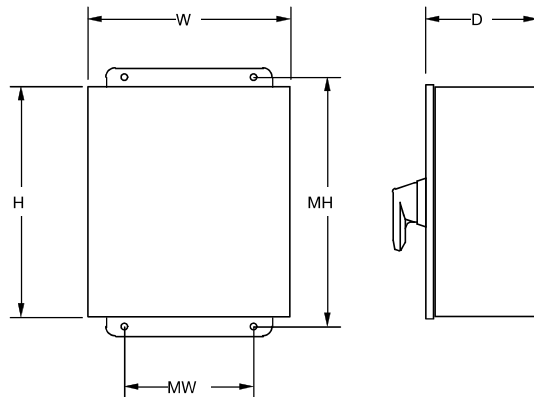
← 00.00 → Inches
00.00 [Millimeters]

Non-Fusible

Frame size	Enclosure type	H height	W width	D depth	MH mtg. height	MW mtg. width	Weight
OT16_ OT25_ OT40_	1	6.0	6.0	4.0	4.0	4.0	4.0
	3R	6.0	6.0	4.0	7.75	3.0	4.0
	4	6.0	6.0	4.0	6.75	4.0	4.0
	4X SS	6.0	6.0	4.0	7.75	3.0	4.0
	4X Plastic	6.0	6.0	5.9	6.75	4.0	4.0
	12	6.0	6.0	4.0	7.75	3.0	4.0
OT63_ OT80_	1	8.0	6.0	4.0	7.0	5.0	6.0
	3R	8.0	6.0	4.0	8.75	4.0	6.0
	4	8.0	6.0	4.0	8.75	4.0	6.0
	4X SS	8.0	6.0	4.0	8.75	4.0	6.0
	4X Plastic	8.0	6.0	5.9	8.75	4.0	6.0
	12	8.0	6.0	4.0	8.75	4.0	6.0
OT30 OT60 OT100	1	10.0	8.0	5.0	7.0	7.0	9.0
	3R	10.0	8.0	5.0	10.75	6.0	9.0
	4	10.0	8.0	5.0	10.75	6.0	9.0
	4X SS	10.0	8.0	5.0	10.75	6.0	9.0
	4X Plastic	10.0	8.0	5.9	10.75	6.0	9.0
	12	10.0	8.0	5.0	10.75	6.0	9.0

Frame size	Enclosure type	H height	W width	D depth	mtg. height	MW mtg. width	Weight
OT200	1	24.0	16.0	8.0	25.5	14.5	50
	3R	24.0	16.0	8.0	25.5	14.5	50
	4	24.0	16.0	8.0	25.5	14.5	50
	4X SS	24.0	16.0	8.0	25.5	14.5	50
	4X Plastic	25.0	17.0	10.0	25.5	14.5	40
	12	24.0	16.0	8.0	25.5	14.5	50
OT400	1	44.0	22.0	11.0	37.5	22.5	120
	3R	44.0	22.0	11.0	37.5	22.5	120
	4	①	①	①	①	①	①
	4X SS	36.0	24.0	12.0	37.5	22.5	130
	4X Plastic	①	①	①	①	①	①
	12	36.0	24.0	8.0	37.5	22.5	120
OT600	1	44.0	22.0	11.0	37.5	22.5	120
	3R	36.0	24.0	12.0	37.5	22.5	120
	4	36.0	24.0	12.0	37.5	22.5	120
	4X SS	36.0	24.0	12.0	37.5	22.5	120
	4X Plastic	40.0	32.0	13.0	41.2	30.2	120
	12	36.0	24.0	12.0	37.5	22.5	120
OT800 - OT1200	1	60.0	36.0	12.0	61.5	34.5	200
	3R	60.0	36.0	12.0	61.5	34.5	200
	4	60.0	36.0	12.0	61.5	34.5	200
	4X SS	60.0	36.0	12.0	61.5	34.5	200
	4X Plastic	①	①	①	①	①	①
	12	60.0	36.0	12.0	61.5	34.5	200
OETL-NF1600 OETL-NF2000 OETL-NF3150	1	90.0	36.0	24.0	②	②	600
	3R	90.0	36.0	24.0	②	②	600
	4	①	①	①	①	①	①
	4X SS	①	①	①	①	①	①
	4X Plastic	①	①	①	①	①	①
	12	90.0	36.0	24.0	②	②	600

- ① Please consult factory, enclosures are sized to suit specific customer needs.
- ② Enclosure is free standing.
- ③ Some 4-pole switches require larger enclosures. Please consult factory.



600V, 16A - 3150A
2, 3 and 4-pole switches
Enclosure dimensions

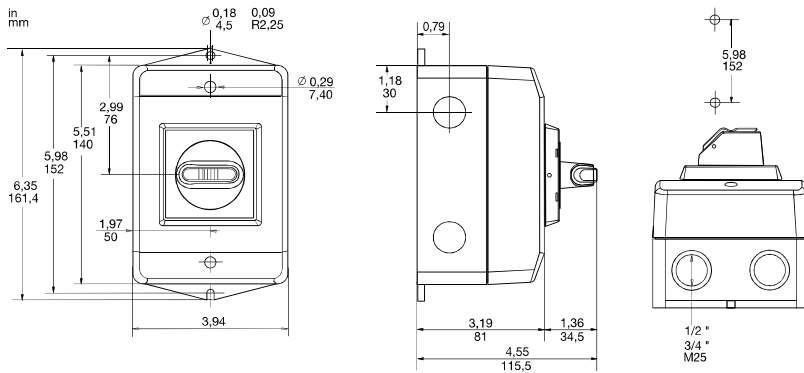
eOT Enclosed switches

Approximate dimensions

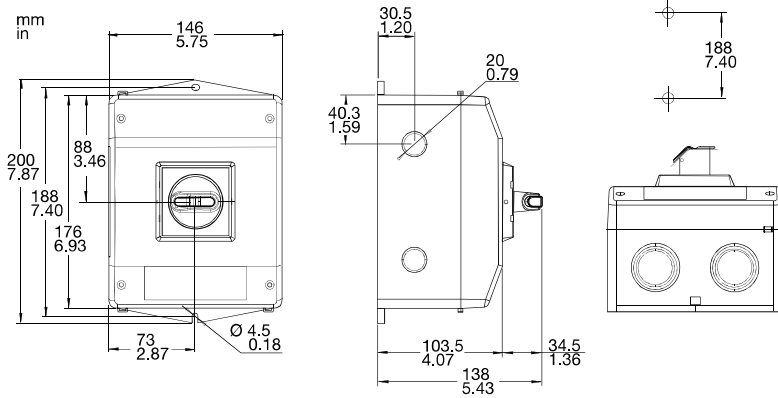
eOT16_ - eOT45U

← 00.00 → Inches
00.00 → [Millimeters]

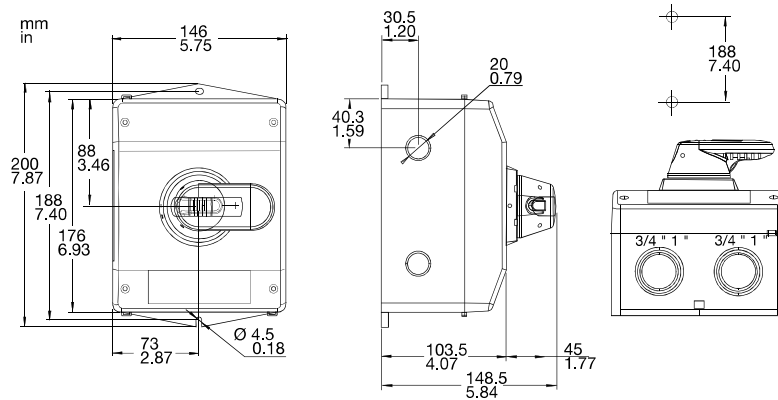
eOT16_, eOT32_ (enclosure size 1)



eOT45U_ (enclosure size 2 with selector handle)



eOT45U_ (enclosure size 2 with pistol grip handle)



Disconnect
switches
Dimensions

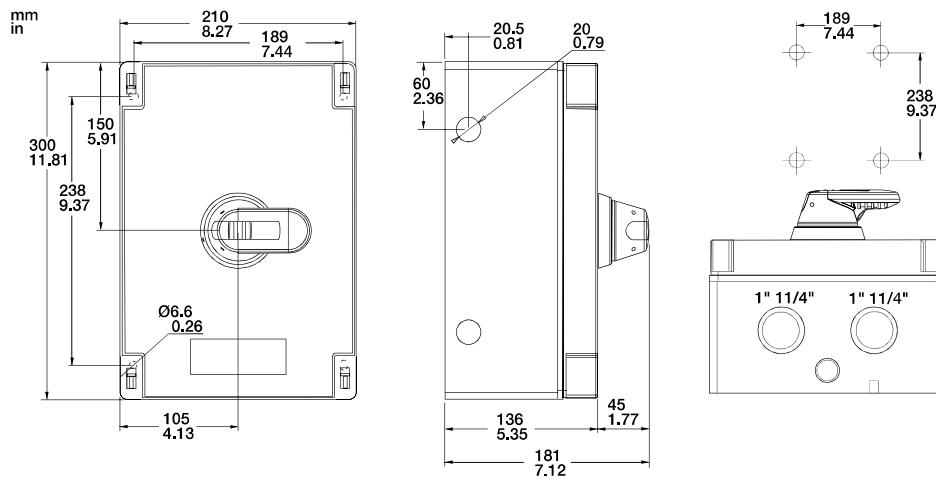
eOT Enclosed manual motor controllers

Approximate dimensions

eOT63_

← 00.00 → Inches
00.00 [Millimeters]

eOT63_ (enclosure size 3 with pistol grip handle)



Notes

← 00.00 → Inches
00.00 [Millimeters]